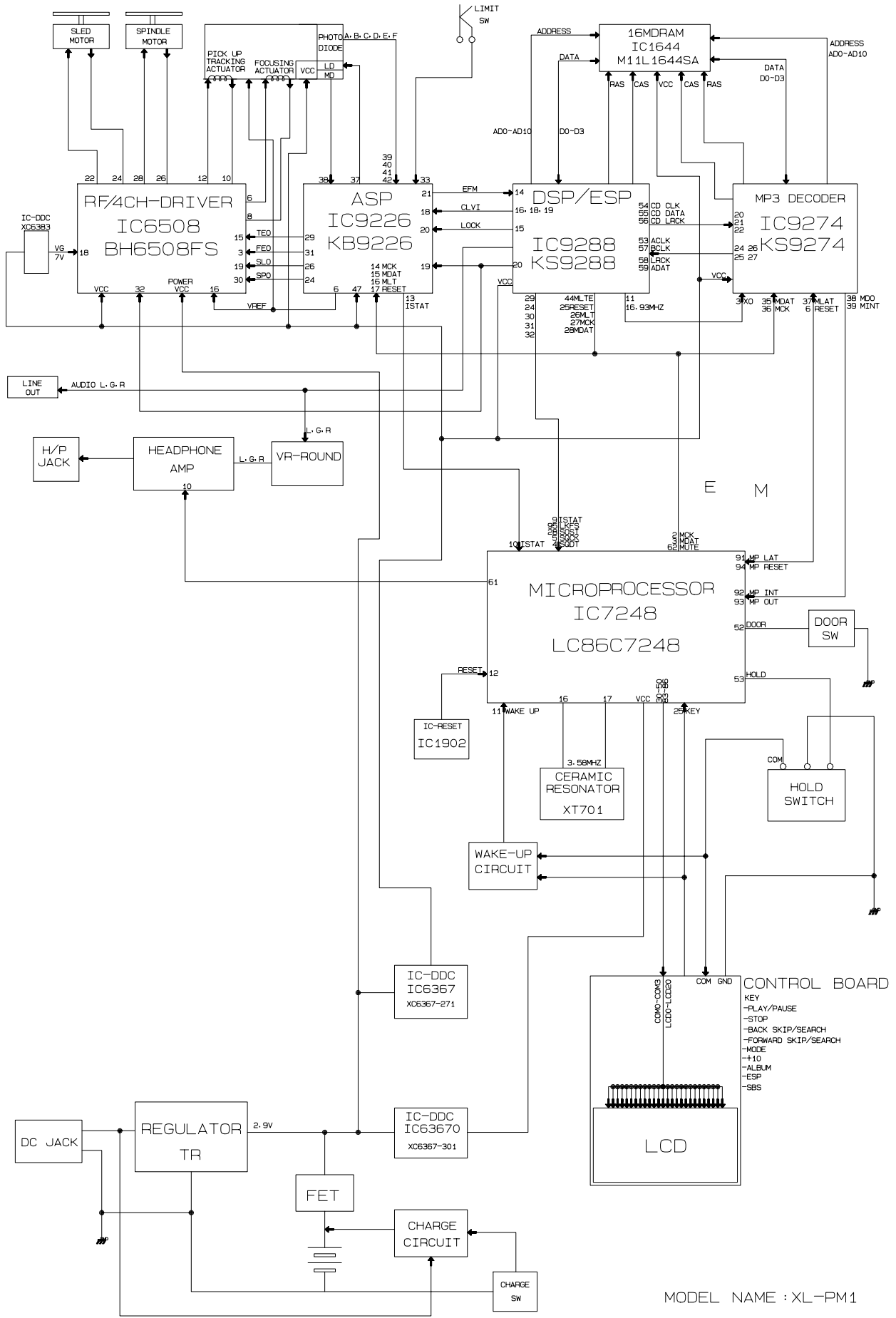


Block diagram

5
4
3
2
1



MODEL NAME : XL-PM1

Standard schematic diagram

